

MFJ

Radio Interface

Model MFJ-5124K/Y



INSTRUCTION MANUAL

CAUTION: Read All Instructions Before Operating Equipment !

MFJ ENTERPRISES, INC.

300 Industrial Park Road
Starkville, MS 39759 USA
Tel: 662-323-5869 Fax: 662-323-6551

Contents

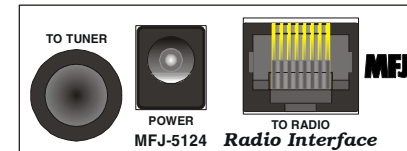
Introduction.....	1
Front Panel.....	1
To Tuner	1
Power	1
To Radio	1
Jumper Settings.....	2
Kenwood Radio Interface	2
Connections	3
Operation	3
Yaesu Radio Interface.....	4
Connections for FT-100, FT-857 and FT-897	4
Connections for FT-847.....	4
Operation	5
Technical Assistance.....	5
Schematic.....	6

THIS PAGE IS LEFT BLANK INTENTIONALLY

Introduction

The MFJ-5124 Radio Interface main unit contains all the electronics that allows users of AT-300 compatible Kenwood transceivers and certain Yaesu transceivers with CAT system to connect to the MFJ-991, MFJ-993 and MFJ-994 *IntelliTuner*™ Automatic Antenna Tuners. With this interface, DC power to the radio interface and the tuner is supplied by the radio, except FT-847. Uses of appropriate cable and selecting the interface protocol via internal jumpers allow the interface to connect to the various Kenwood and Yaesu radios. The radio interface allows one button tuning operation.

Front Panel



- **To Tuner:** The 3.5 mm stereo phone plug connects to the tuner's RADIO INTERFACE jack, and the 2.1 × 5.5 mm coaxial plug connects to the tuner's POWER jack.
- **Power:** Accepts a standard 2.1 × 5.5 mm coaxial plug with positive center and negative sleeve. The tuner requires 12 volts DC at up to 1 amp. The use of a regulated supply is not mandatory but is recommended for best performance. An optional 12 volts DC 1.5 amp power supply, the MFJ-1316, is available from MFJ Enterprises, Inc.

Most radios provide +13.8 volts through the radio's tuner port (Kenwood AT/ACC and Yaesu CAT ports) to the TO RADIO jack, so the POWER jack connection is rarely used. If the radio's tuner port does not have a power connection, such as the Yaesu FT-847, then connect a power supply to this connector. If the radio's tuner port has a power connection but cannot supply one amp of current, then remove the internal jumper JP3 and connect a power supply to this connector. Check your radio's operating manual.

WARNING: Do not apply voltages greater than 18 volts to this unit, or permanent damage to the unit and the tuner may result.

- **To Radio:** Accepts an 8-pin modular plug that connects the radio interface to a Kenwood AT/ACC or Yaesu CAT port. Use proper cable for the various radios.

Jumper Settings

Two jumpers, JP1 and JP2, inside the MFJ-5124 are used to select the radio to interface with. To change these jumper settings:

1. Disconnect the MFJ-5124 from the radio and the tuner.
2. Open the MFJ-5124 case by removing the two screws on the bottom.
3. Configure jumpers JP1 and JP2 according to the following table to select the radio to interface with.

JP1	JP2	To Interface	Using
A	A	Kenwood (auto detected tuner) † such as TS-570S, etc.	MFJ-5124K (6-pin molex)
A	B	Kenwood (menu enabled tuner) such as TS-450S, TS-690S, etc.	MFJ-5124K (6-pin molex)
A	C	Reserved for future use.	
B	A	Yaesu FT-857, FT-897	MFJ-5124Y1 (8-pin mini DIN)
B	B	Yaesu FT-100 ‡	MFJ-5124Y1 (8-pin mini DIN)
B	C	Reserved for future use.	
C	A	Yaesu FT-847	MFJ-5124Y2 (DB-9)
C	B	Reserved for future use.	
C	C	Reserved for future use.	

† MFJ-5124K factory default.

‡ MFJ-5124Y factory default.

4. Close the MFJ-5124 case and secure with the two screws.
5. Connect the MFJ-5124 to the radio and the tuner.

Kenwood Radio Interface

The MFJ-5124K radio interface allows users of AT-300 compatible Kenwood transceivers to connect to the MFJ-991, MFJ-993 and MFJ-994 *IntelliTuner*™ Automatic Antenna Tuners. With this interface, DC power is supplied by the radio and control signals are connected between the radio and the tuner. The operator can then control the tuner with a single push of the [AT TUNE] button on the front panel of the radio.

Connections

1. Insert the 3.5 mm stereo phone plug into the tuner's RADIO INTERFACE jack.
2. Insert the 2.1 x 5.5 mm coaxial power plug into the tuner's POWER jack.
3. Insert the 8-pin modular plug into the MFJ-5124's TO RADIO jack.
4. **Important:** *Make sure the DC power to the radio has been turned off. The radio does not fuse the DC power to the tuner, and damage to the radio can occur if the interface's power connection comes in contact with ground.*
5. Connect the 6-pin molex connector to the mating 6-pin molex connector, marked as AT or ACC, on the back of the Kenwood radio.
6. Push the [POWER] button on the tuner to the *in* position. When the radio is powered on, the tuner will also power on.
7. Some Kenwood radios automatically check to see if an external antenna tuner is connected during power on, such as the TS-570S (set jumper JP2 to the A position). This is the factory default setting. If both needles on the MFJ tuner keep bouncing (TURN ON RADIO appears on the MFJ-993) and do not go away, then move jumper JP2 to the B position.

For other Kenwood radios, the External Antenna Tuner menu in the radio menu system must be enabled, such as the TS-450S and the TS-690S (set jumper JP2 to the B position). If the MFJ tuner switches to bypass mode during power on, then move jumper JP2 to the A position because the radio is checking for a tuner presence during power on. Refer to your radio's operating manual for accessing the menu system and preparing the AT-300 operation.

Operation

The operation of the MFJ-5124K radio interface is similar to the operation of the AT-300 described in the Kenwood radio user's manual. Press and hold the [AT TUNE] button on the radio for one second to start the tuning process. The radio will automatically switch to CW mode, transmit a 10-watt carrier, and start the tuning process. When the tuning process is completed, the radio will stop transmitting, return to its previous mode and power setting. Press the [AT TUNE] button on the radio briefly will place the tuner into bypass mode (some Kenwood radios, such as the TS-690S, do not have this bypass function).

Note the [TUNE] button on the tuner will not operate the radio interface.

Yaesu Radio Interface

The MFJ-5124Y1 radio interface allows users of certain Yaesu transceivers that have an 8-pin mini DIN CAT port, such as the FT-100, FT-857 and FT-897, to connect to the MFJ-991, MFJ-993 and MFJ-994 *IntelliTuner*[™] Automatic Antenna Tuners. The MFJ-5124Y2 radio interface connects to Yaesu transceivers that have a DB-9 CAT port, such as the FT-847. With this interface, DC power (except FT-847) is supplied by the radio and control signals are connected between the tuner and the radio. The operator can then control the tuner and the radio with the [TUNE] button on the front panel of the tuner.

Connections for FT-100, FT-857 and FT-897

1. Insert the 3.5 mm stereo phone plug into the tuner's RADIO INTERFACE jack.
2. Insert the 2.1 x 5.5 mm coaxial power plug into the tuner's POWER jack.
3. Insert the 8-pin modular plug into the MFJ-5124's TO RADIO jack.
4. **Important:** *Make sure the DC power to the radio has been turned off. The radio does not fuse the DC power to the tuner, and damage to the radio can occur if the interface's power connection comes in contact with ground.*
5. Connect the 8-pin mini DIN connector to the mating 8-pin mini DIN connector, marked as CAT, on the back of the radio. The FT-100 has the DIN connector at the end of a pigtail.
6. Push the [POWER] button on the tuner to the *in* position. When the radio is powered on, the tuner will also power on.
7. The CAT/Tuner/Linear menu in the radio menu system should be set to CAT. The CAT baud rate should be 4800 baud. ATAS (if available) should be set to OFF. Some radios may need to be powered off and then on for the changes to take place. Refer to your radio's operating manual for accessing the menu system.

Connections for FT-847

1. Insert the 3.5 mm stereo phone plug into the tuner's RADIO INTERFACE jack.
2. Insert the 2.1 x 5.5 mm coaxial power plug into the tuner's POWER jack.
3. Insert the 8-pin modular plug into the MFJ-5124's TO RADIO jack.

4. **Important:** Make sure the DC power to the radio has been turned off. The radio does not fuse the DC power to the tuner, and damage to the radio can occur if the interface's power connection comes in contact with ground.
5. Connect the DB-9 connector to the mating DB-9 connector, marked as CAT, on the back of the radio.
6. The FT-847 does not have a DC power connection on its CAT port. Connect a 12 volts DC 1 amp power supply, such as the MFJ-1316, to the MFJ-5124's POWER jack. The tuner should be powered on before the radio.
7. The CAT/Tuner/Linear menu in the radio menu system should be set to CAT. The CAT baud rate should be 4800 baud. ATAS (if available) should be set to OFF. Some radios may need to be powered off and then on for the changes to take place. Refer to your radio's operating manual for accessing the menu system.

Operation

The operation of the MFJ-5124Y radio interface is simple. Press and hold the [TUNE] button on the tuner for 0.5 to 2 seconds to start the tuning process. The radio will switch to AM mode, transmit a carrier, and start the tuning process. When the tuning process is completed, the radio will stop transmitting and return to its previous mode. Press the [TUNE] button on the tuner briefly will place the tuner into bypass mode.

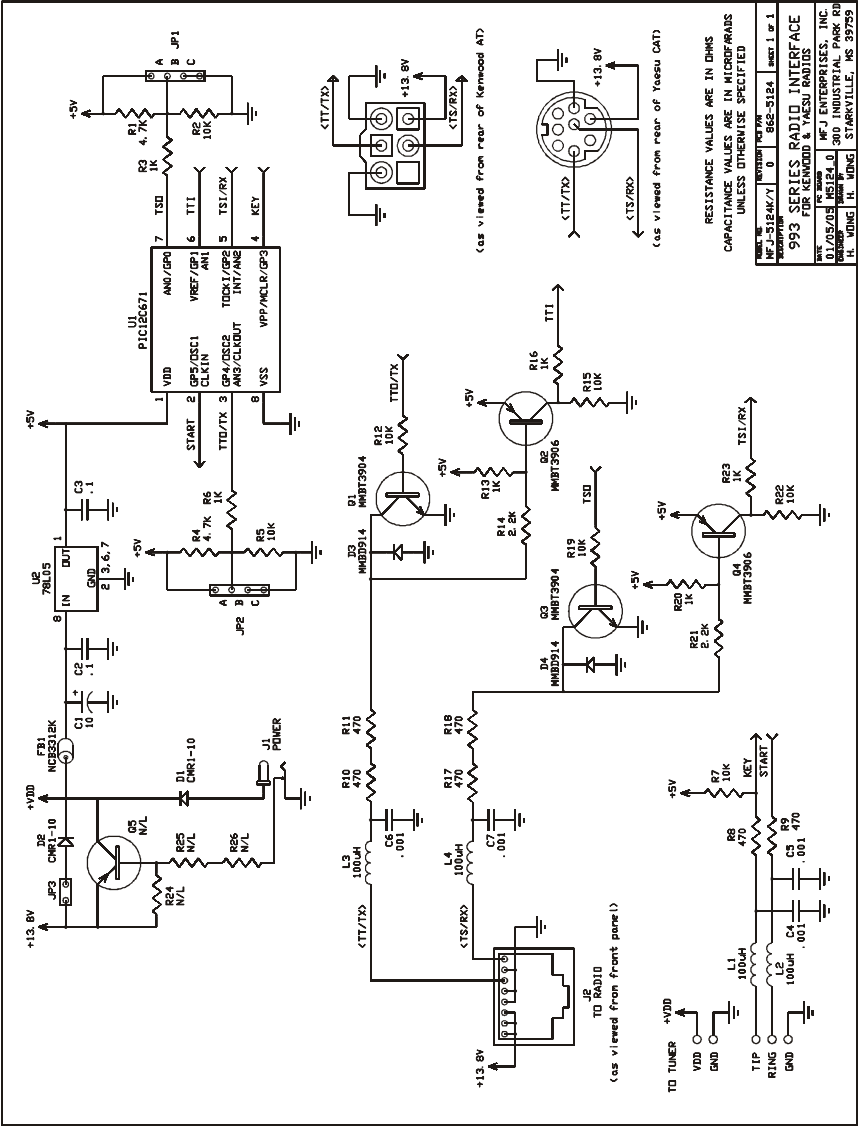
Note the [TUN] button on the radio will not operate the radio interface.

Technical Assistance

If you have any problem with this unit first check the appropriate section of this manual. If the manual does not reference your problem or your problem is not solved by reading the manual, you may call *MFJ Technical Service* at 662-323-0549 or the *MFJ Factory* at 662-323-5869. You will be best helped if you have your unit, manual and all information on your station handy so you can answer any questions the technicians may ask.

You can also send questions by mail to MFJ Enterprises, Inc., 300 Industrial Park Road, Starkville, MS 39759; by facsimile (FAX) to 662-323-6551; or by email to techinfo@mfjenterprises.com. Send a complete description of your problem, an explanation of exactly how you are using your unit, and a complete description of your station.

Schematic



LIMITED 12 MONTH WARRANTY

MFJ Enterprises, Inc. warrants to the original owner of this product, if manufactured by MFJ Enterprises, Inc. and purchased from an authorized dealer or directly from MFJ Enterprises, Inc. to be free from defects in material and workmanship for a period of 12 months from date of purchase provided the following terms of this warranty are satisfied:

1. The purchaser must retain the dated proof-of-purchase (bill of sale, canceled check, credit card or money order receipt, etc.) describing the product to establish the validity of the warranty claim and submit the original or machine reproduction of such proof of purchase to MFJ Enterprises, Inc. at the time of warranty service. MFJ Enterprises, Inc. shall have the discretion to deny warranty without dated proof-of-purchase. Any evidence of alteration, erasure, or forgery shall be cause to void any and all warranty terms immediately.
2. MFJ Enterprises, Inc. agrees to repair or replace at MFJ's option without charge to the original owner any defective product under warrantee provided the product is returned postage prepaid to MFJ Enterprises, Inc. with a personal check, cashiers check, or money order for \$7.00 covering postage and handling.
3. This warranty is NOT void for owners who attempt to repair defective units. Technical consultation is available by calling the Service Department at 662-323-0549 or the MFJ Factory at 662-323-5869.
4. This warranty does not apply to kits sold by or manufactured by MFJ Enterprises, Inc.
5. Wired and tested PC board products are covered by this warranty provided only the wired and tested PC board product is returned. Wired and tested PC boards installed in the owner's cabinet or connected to switches, jacks, or cables, etc. sent to MFJ Enterprises, Inc. will be returned at the owner's expense unrepaired.
6. Under no circumstances is MFJ Enterprises, Inc. liable for consequential damages to person or property by the use of any MFJ products.
7. Out-of-Warranty Service: MFJ Enterprises, Inc. will repair any out-of-warranty product provided the unit is shipped prepaid. All repaired units will be shipped COD to the owner. Repair charges will be added to the COD fee unless other arrangements are made.
8. This warranty is given in lieu of any other warranty expressed or implied.
9. MFJ Enterprises, Inc. reserves the right to make changes or improvements in design or manufacture without incurring any obligation to install such changes upon any of the products previously manufactured.
10. All MFJ products to be serviced in-warranty or out-of-warranty should be addressed to:
MFJ Enterprises, Inc.
300 Industrial Park Road
Starkville, Mississippi 39759 USA
and must be accompanied by a letter describing the problem in detail along with a copy of your dated proof-of-purchase.
11. This warranty gives you specific rights, and you may also have other rights which vary from state to state.



MFJ ENTERPRISES, INC.
300 Industrial Park Road
Starkville, MS 39759 U.S.A.

MFJ-5124K/Y Manual
Version 0A
Printed In U.S.A.