

JETSTREAM

Instructions for JTCS4M

100 Hancock Ave
Hamilton, Ohio 45011

www.jetstream-usa.com
800-524-4889

Specifications:

Frequency range:	DC-900 MHz
Input impedance:	50 ohms
Max Power DC-30 Mhz:	1500 watts
Max Power 30-200 Mhz:	1000 watts
Max Power 200-500 Mhz:	500 watts
Max Power 500-900 Mhz:	150 watts
Insertion loss DC-500 Mhz:	$\geq .1$ db
Insertion loss 500-900 Mhz:	$\geq .2$ db
Isolation:	≤ 60 db
VSWR:	$\geq 1.1:1$
Connector:	SO239 input and output



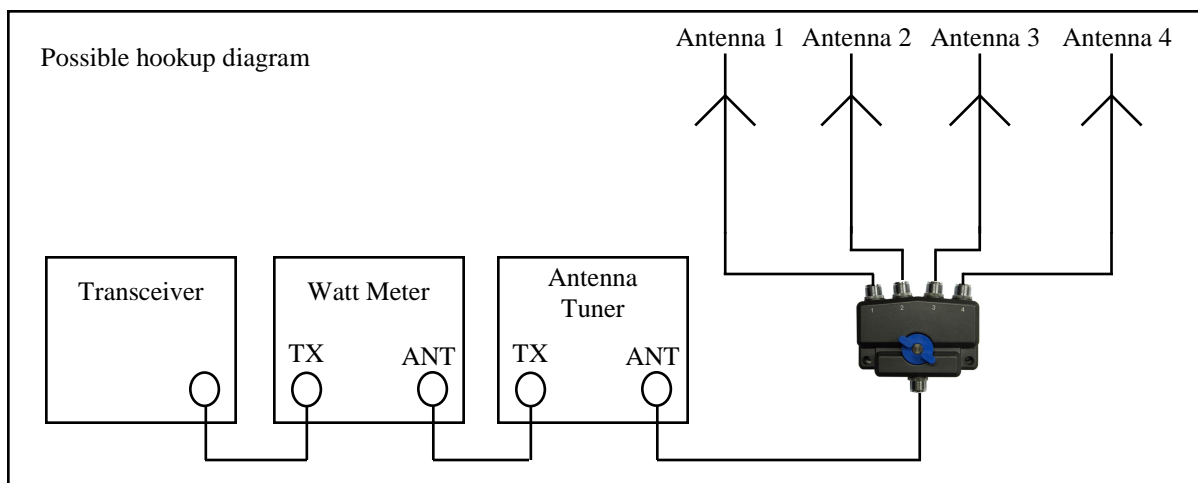
General

The JTCS4M may be used to switch 4 antennas to one transceiver. It also may be used to switch 4 radios to one antenna.

The JTCS4M will ground the unused position. EX: If you are using port 1, port 2, 3 and 4 will be grounded.

Setup

Every set up is different. In most installations, the antenna switch will be the last thing in line. After your wattmeter, tuner, amplifier, etc. See diagram below.



Recommended Accessories for the JTCS4M meter:

Coax:

1 ft jumper: **Jetstream JUMPER1**

3 ft jumper: **Jetstream JUMPER3**

www.jetstream-usa.com

800-524-4889