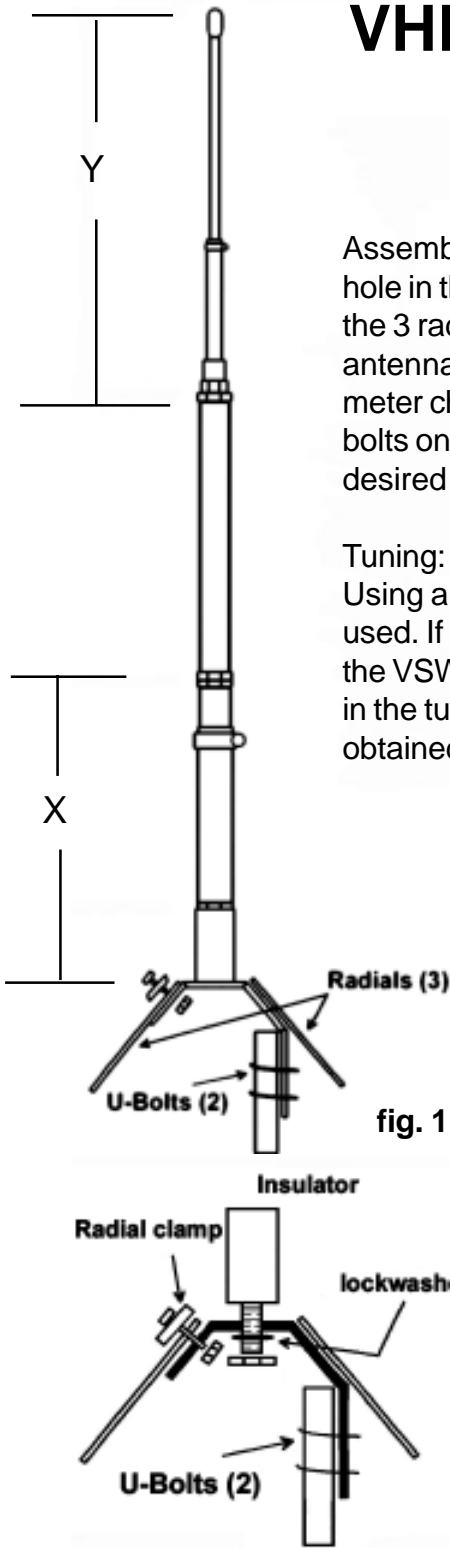




G3-144

144-174 MHz

VHF 3 dB Vertical Base Antenna Omni - Directional



Assemble the G3-144 as shown in fig. 1, making sure to orient the drain hole in the phasing coil toward the bottom of the antenna. Then install the 3 radials to the mount as shown in fig. 1. Adjust the lengths of the antenna as specified in the tuning charts and using a reliable VSWR meter check the VSWR and adjust the lengths as needed. Install the U-bolts on the mount and using a 1" to 1 3/4" mast mount the antenna in the desired location.

Tuning: Using the tuning chart, adjust the lengths of sections X and Y. Using a reliable VSWR bridge, check the VSWR at the frequency to be used. If the VSWR is intolerable, lengthen section "Y" 1/4", if this makes the VSWR worse then shorten section "Y" 1/4" shorter than length given in the tuning chart. Continue to do this until a satisfactory VSWR is obtained.

MHz	X		Y	
144	23"	58.42 cm	42 5/8"	108.27 cm
146	22 1/2"	57.15 cm	41 5/8"	105.73 cm
148	22"	55.88 cm	40 1/2"	102.87 cm
150	21 5/8"	54.93 cm	39 5/8"	100.65 cm
152	21 1/8"	53.66 cm	38 5/8"	98.11 cm
154	20 5/8"	52.39 cm	37 5/8"	95.57 cm
156	20 3/8"	51.75 cm	36 3/4"	93.35 cm
158	19 7/8"	50.48 cm	35 7/8"	91.12 cm
160	19 3/4"	50.17 cm	34 7/8"	88.58 cm
162	19 3/8"	49.21 cm	34 3/8"	87.31 cm
164	19 1/8"	48.58 cm	33 5/8"	85.41 cm
166	19"	48.26 cm	32 7/8"	83.50 cm
168	18 7/8"	47.94 cm	32 1/8"	81.60 cm
170	18 1/4"	46.36 cm	31 1/2"	80.00 cm
172	17 7/8"	45.40 cm	31"	78.74 cm
174	17 3/8"	44.13 cm	30 5/8"	77.79 cm