

DIAMOND ANTENNA

NR7900A

2m/70cm Mobile Antenna-High Power

Instruction Sheet

The NR7900A is a high performance dual-band mobile antenna. The NR7900A will handle 300 watts on 2m and 250 watts on 70cm. Use Diamond Antenna model K400C or K600M Trunk Mount, for best performance.

Specifications

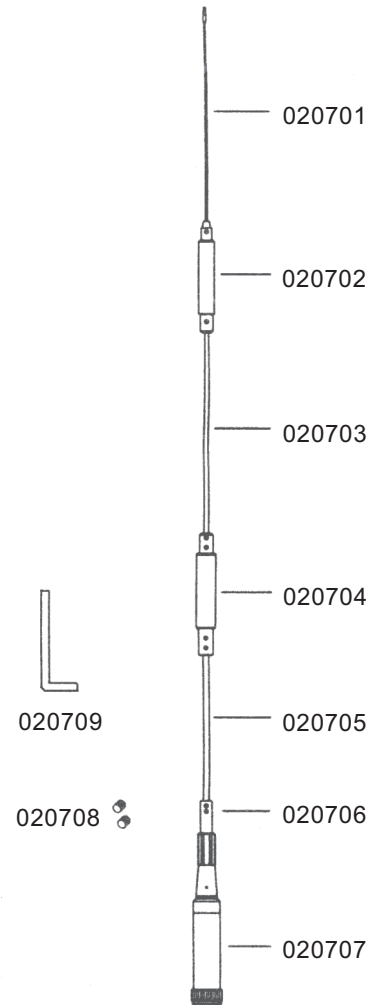
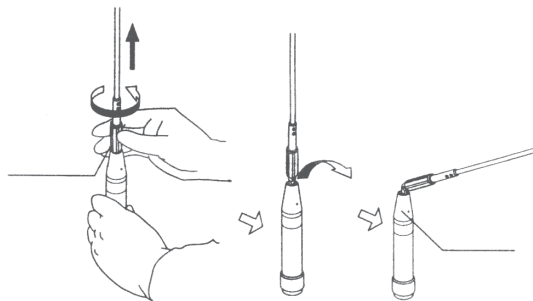
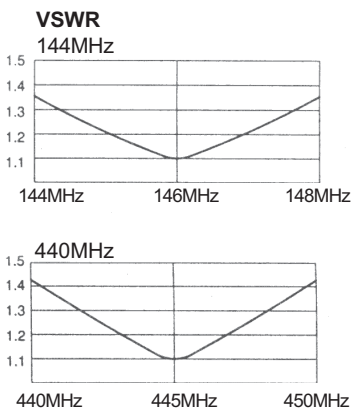
FREQUENCY:	144-148; 440-450 MHz
GAIN:	3.7 dB (2m); 6.4 dB (70cm)
POWER:	300 Watts (2m); 250 watts (70cm)
IMPEDANCE:	50 Ohms (Nominal)
VSWR:	1.5:1 (Nominal)
ELEMENT PHASING:	6/8 Wave (2m); 2-5/8 wave (70cm)
LENGTH:	58"
WEIGHT:	1.75 lbs. (700g)
MOUNT:	UHF MALE
WARRANTY:	1 Year against defects in material or workmanship.

RECOMMENDED MOUNTS: K400C, K400S, K600S or K600M

Installation Instructions

- (1) Remove antenna from package and inspect contents to insure it is complete.
- (2) Choose desired mounting location to insure maximum strength of mount, and best performance of antenna.
- (3) Assemble upper whip element #020701 to Phase inductor #020702.
- (4) Install antenna on vehicle. With quality VSWR meter, check VSWR for proper antenna tuning. The NR7900A is pretuned and should require no additional tuning. However, choice of antenna mount and location should take into consideration the antenna's size and the torque imparted to its mount. Mounts of sufficient strength are Diamond models K400C, K400S, K600S and K600M.
- (5) Tighten setscrews. Recommend using removable Loctite Threadlocker #242 or similar product to insure proper fastening of setscrews.

NOTE: Not recommended for Magnet Mounts.



Part #	Part Description
020701	Upper Whip Element
020702	Upper Phase Coil
020703	#2 Element
020704	Lower Phase Coil
020705	#1 Element
020706	Fold Over
020707	Base Coil
020708	Set Screws
020709	Hexagonal Wrench