

DIAMOND ANTENNA

Installing the K400

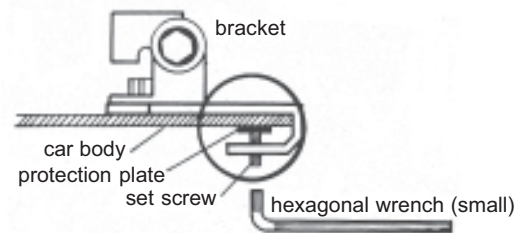
The K400 can be installed on trunk lid, door or hatchback. Install the bracket on desired location as shown in the following photos.

Trunk Lid

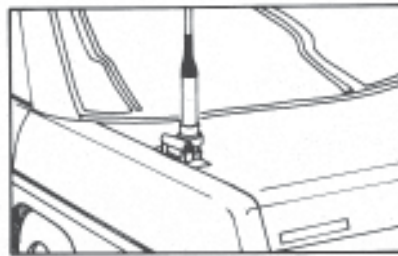


• Installing on trunk lid

The K400 bracket is basically installed as shown in the following figure. To avoid damaging car body, use protection plate.



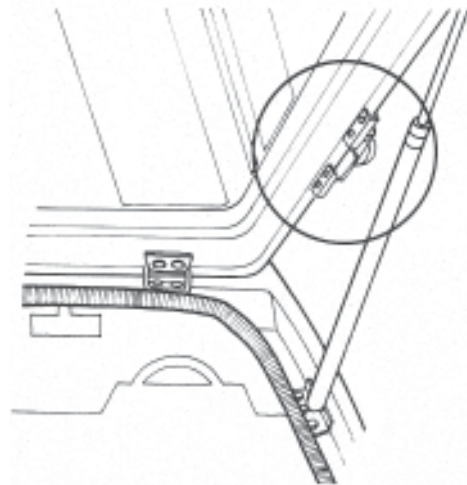
Use set screws attached to install the bracket.



Hatchback or Door

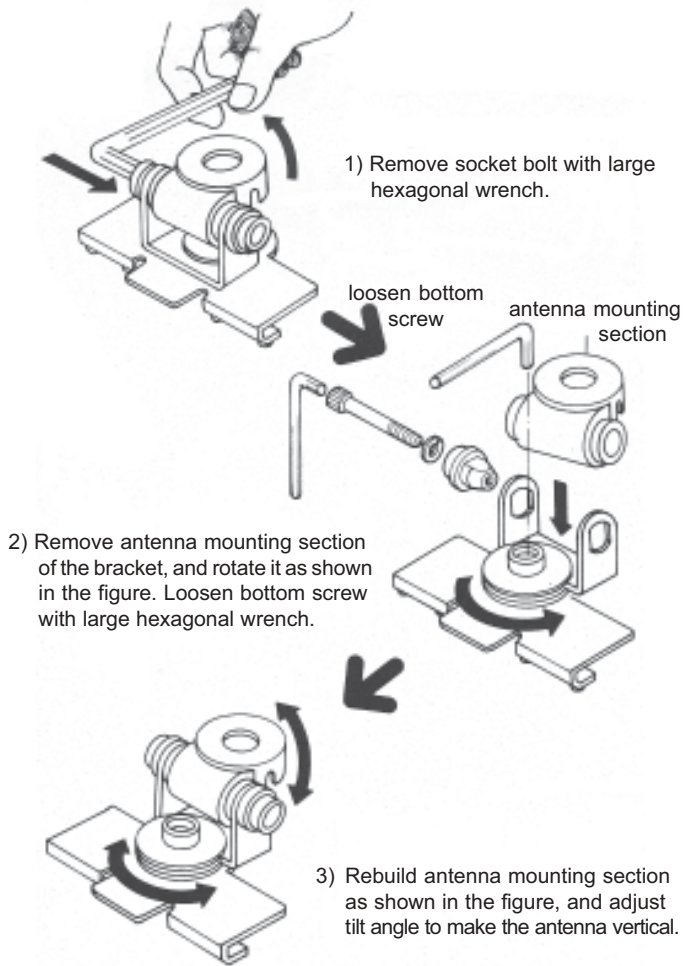


• Installing on hatchback

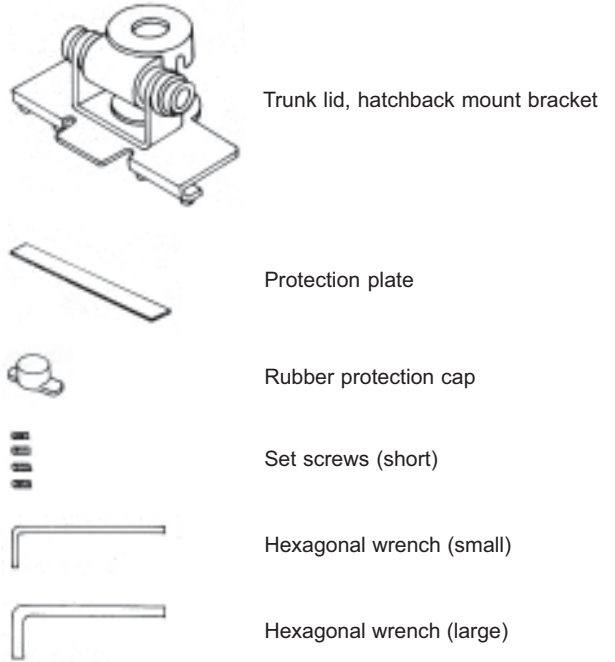


Install the bracket on hatchback as shown in the above figure with set screws and small hexagonal wrench. To avoid damaging the car body, insert protection plate into the place where set screws and the body contact.

Tilt angle adjustment of the K400 bracket



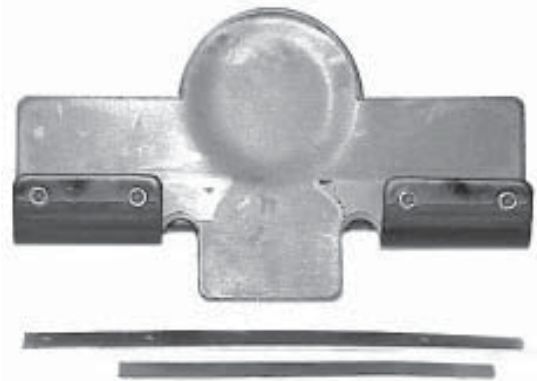
K400 Parts List



K400	Mount Only
K400C	UHF base w/6.5 ft. RG316 teflon coax & PL259
K400CNMO	NMO base w/6.5 ft. RG316 teflon coax & PL259
K400-3/8C	3/8 24 base w/6.5 ft. RG316 teflon coax & PL259



K400 Grounding



K400 Series Mounts

K400 series mounts may be grounded by trimming 1/2" from the aluminum reinforcement strip supplied with mount. Outside two set screws to ground.